

PRORIL

50 Hz

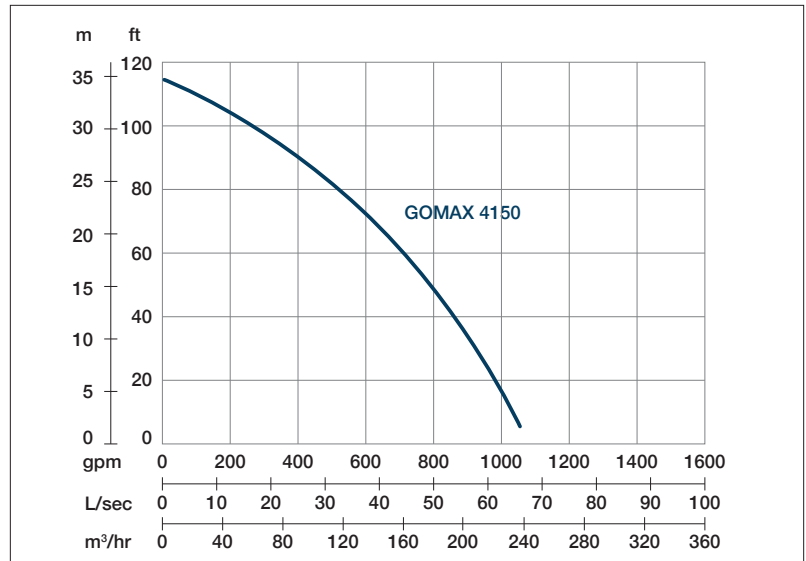
GOMAX Series, these non-clog pumps employ a single-channel enclosed impeller to efficiently and reliably transfer 76mm diameter solids without clogging. GOMAX series pumps are suitable for commercial and industrial wastewater applications.

Sewage Pump

GOMAX 4150

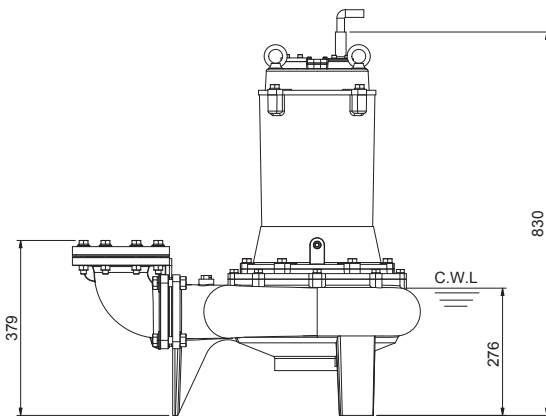
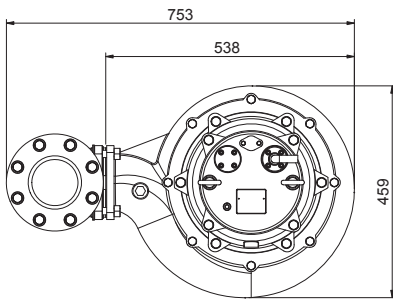
Single Channel Pump





Shaft Speed : 1450 rpm Solid Passage : 76 mm Outlet : 100mm, 4in

| OUTPUT | HEAD | FLOW |
|--------|-------------------|--------------------------|
| 15 kW | Rated : 26m, 85ft | Rated : 30 l/s, 475 gpm |
| 20 HP | Max : 35m, 115ft | Max : 66.6 l/s, 1056 gpm |



Weight : 178kg / 392 lbs

| | | |
|-------------------------|--|--|
| Pump Type | Electric Submersible Pumps | |
| | 3-Phase | |
| Motor | Type | Induction Motor |
| | Poles | 4 Pole |
| | Insulation | Class F |
| | Protector | Star-Delta-Miniature Thermal Protectors D.O.L. • Circle Thermal Protector |
| | Starter | D.O.L. |
| Lubricant | Food Grade (ISO VG32) | |
| Impeller Type | Single Channel | |
| Shaft Seal | Double Mechanical Seal | |
| | Silicon Carbide VS Ceramic / Carbon | |
| Bearings | C3 Shielded ball bearings | |
| Cable | H07RNF | |
| | Length: 10m (33ft) or longer upon request. | |
| Materials | Pump Casing | Gray Iron |
| | Impeller | Gray Iron |
| | Motor Frame | Gray Iron |
| | Motor Shaft | Stainless Steel |
| | Mouth Ring | Copper Alloy |
| Max. Liquid Temperature | 104°F (40°C) | |
| Max. Submersion Depth | 66ft (20m) | |
| pH Range | pH 5 - pH 8 | |
| Accessories | GRN-04 | |