

PRORIL

50 Hz

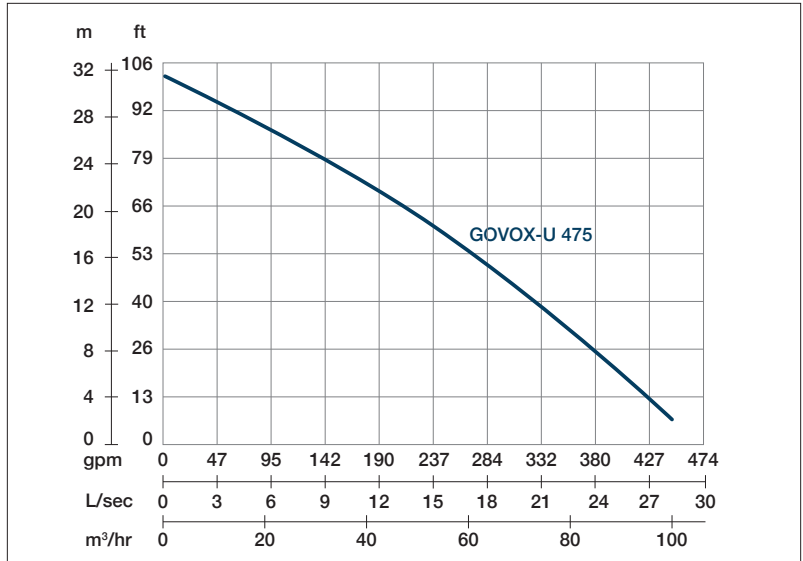
GOVOX Series, these vortex pumps feature a less impeller wear and longer pump life by a vortex flow that allows fibrous materials and solid matters to be pumped out without obstruction.

Sewage Pump

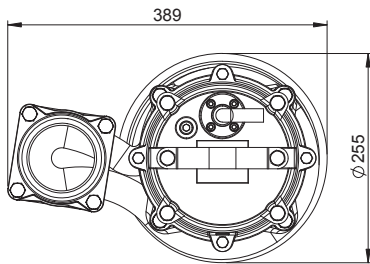
GOVOX-U 475

Vortex Pump

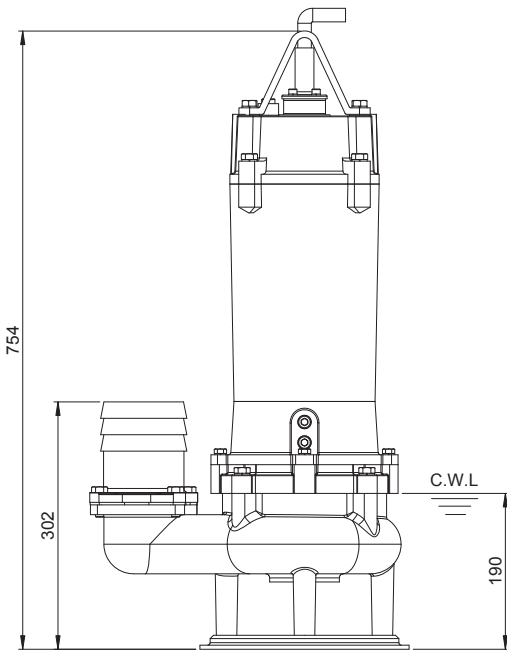




Shaft Speed : 2850 rpm Solid Passage : 55 mm Outlet : 100mm, 4in



| OUTPUT | HEAD | FLOW |
|--------|-------------------|--------------------------|
| 7.5 kW | Rated : 20m, 66ft | Rated : 12.5 l/s, 198gpm |
| 10 HP | Max : 31m, 102ft | Max : 28.3 l/s, 449 gpm |



Weight : 67kg / 147.4lbs

| | | |
|-------------------------|--|--------------------------|
| Pump Type | Electric Submersible Pumps | |
| | Three Phase | |
| | IP 68 | |
| Motor | Type | Induction Motor |
| | Poles | 2 Pole |
| | Insulation | Class F |
| | Protector | Circle Thermal Protector |
| | Starter Method | D.O.L. |
| Lubricant | Food Grade (ISO VG32) | |
| Impeller Type | Vortex | |
| Shaft Seal | Double Mechanical Seal | |
| | Silicon Carbide VS Ceramic / Carbon | |
| Bearings | C3 Shielded ball bearings | |
| Cable | H07RNF | |
| | Length: 10m (33ft) or longer upon request. | |
| Materials | Pump Casing | Gray Iron |
| | Impeller | Gray Iron |
| | Motor Frame | Gray Iron |
| | Motor Shaft | Stainless Steel |
| Max. Liquid Temperature | 40°C (104°F) | |
| Max. Submersion Depth | 20m (66ft) | |
| pH Range | 5-8 | |