

# PRORIL

50 Hz

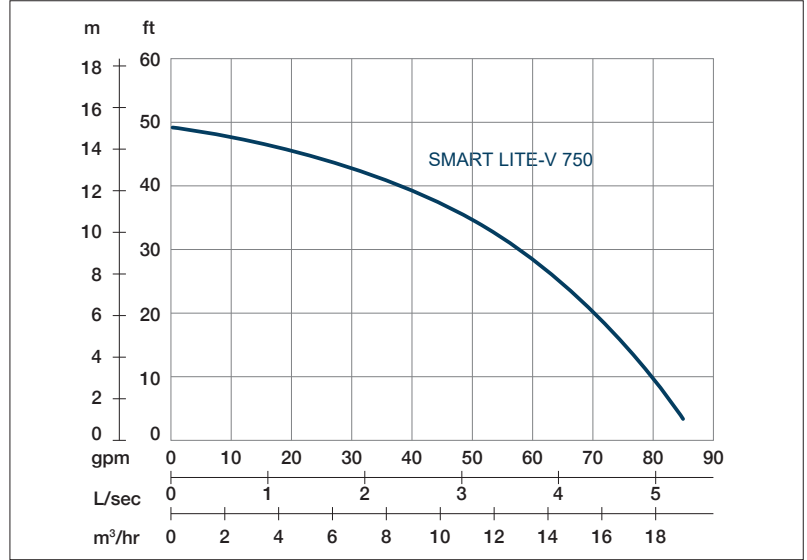
Designed for light weight, excellent performance, low energy consumption, and easy maintenance, PRORIL submersible handy pumps serve a wide range of pumping applications on utility, construction, industrial, and municipal job sites.

Handy and Residue Pump

## SMART LITE-V 750

Handy Pump

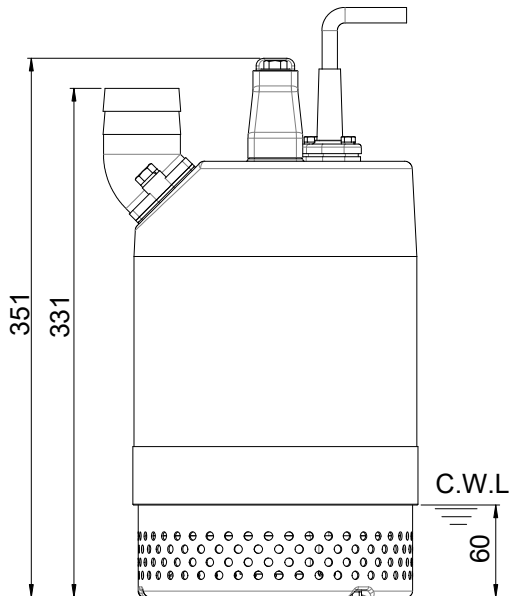
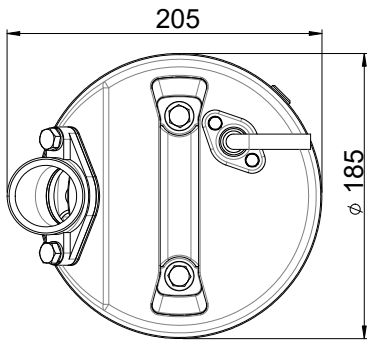




Shaft Speed : 2850 rpm    Solid Passage : 7 mm    Outlet : 50mm, 2in

| OUTPUT  | HEAD              | FLOW                    |
|---------|-------------------|-------------------------|
| 0.75 kW | Rated : 10m, 33ft | Rated : 3.3 L/s, 53 gpm |
| 1 HP    | Max : 15m, 49ft   | Max : 5.3 L/s, 84 gpm   |

Solid Passage : 5.5 mm, 0.2 in



unit : mm

Weight : 14.5 kg / 32 lbs

|                         |                                     |                             |
|-------------------------|-------------------------------------|-----------------------------|
| Pump Type               | Electric Submersible Pumps          |                             |
|                         | 1-Phase                             |                             |
| Motor                   | Type                                | Induction Motor             |
|                         | Poles                               | 2 Pole                      |
|                         | Insulation                          | Class F                     |
|                         | Protector                           | Miniature Thermal Protector |
|                         | Starter                             | Capacitor-Run               |
| Lubricant               | Food Grade (ISO VG32)               |                             |
| Impeller Type           | Vortex                              |                             |
| Shaft Seal              | Double Mechanical Seal              |                             |
|                         | Silicon Carbide VS Ceramic / Carbon |                             |
| Bearings                | C3 Shielded ball bearings           |                             |
| Cable                   | PVC (CSA Certified) / H07RN-        |                             |
|                         | 6m (20ft) or longer upon request.   |                             |
| Materials               | Pump Casing                         | Gray Iron                   |
|                         | Impeller                            | Synthetic Polymers          |
|                         | Motor Frame                         | Aluminum                    |
|                         | Motor Shaft                         | Stainless Steel             |
|                         | Outer Case                          | Aluminum                    |
|                         | Strainer                            | Carbon Steel                |
| Max. Liquid Temperature | 40°C (104°F)                        |                             |
| Max. Submersion Depth   | 20m (66ft)                          |                             |
| pH Range                | pH 5 - pH 8                         |                             |